

Post 'O' Levels Education Pathways

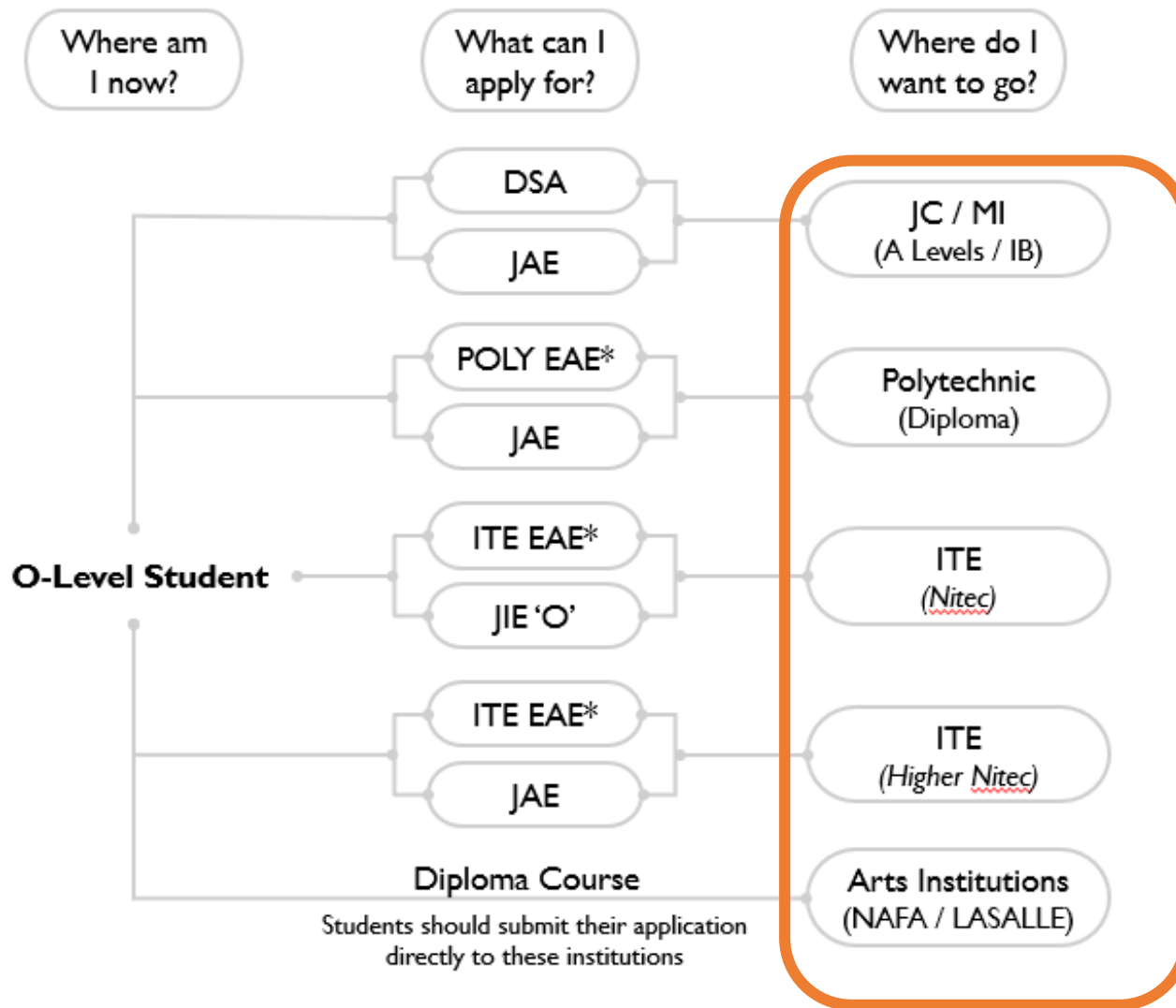


Objectives

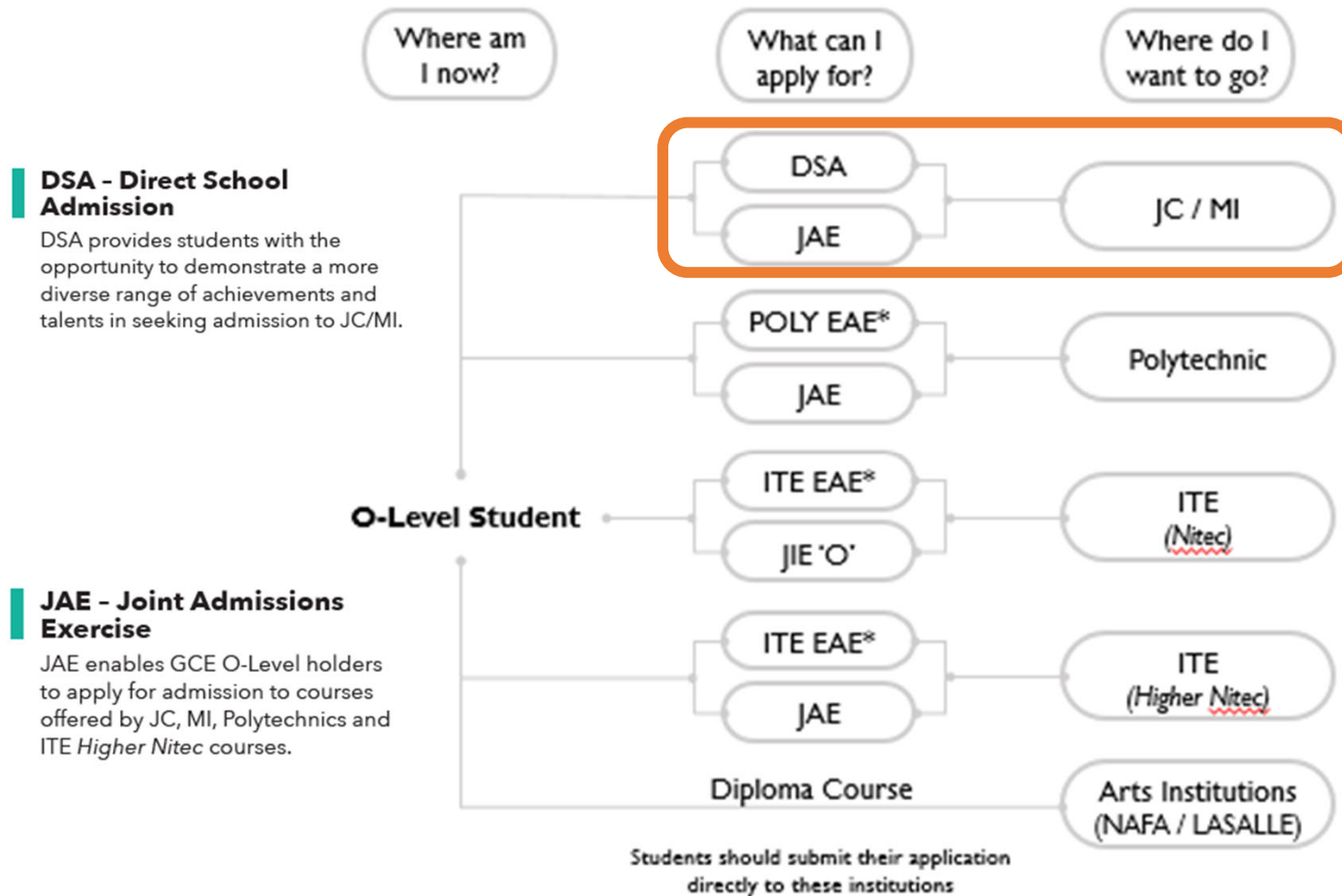
- To share an overview of post 'O' levels education landscape.

Post 'O' Levels Education Landscape

What's Next after GCE 'O' Levels?



What's Next after GCE 'O' Levels



Pre Universities Landscape

18 Junior Colleges (JCs) & Millennia Institute

Prepares students for the GCE 'A' Level or International Baccalaureate (IB) examination



Length of study:

JCs – 2 years

MI – 3 years

Cut-off Points:

To enter a **JC**:
LIR5 must be ≤ 20

To enter **MI**:
LIR4 must be ≤ 20

JC and MI: Admission Criteria

L1R5 : For Junior College Course	
L1	First Language - English/Higher Mother Tongue
R5	Relevant Subject 1 - Humanities/Higher Art/Higher Music/Malay (Special Programme)/ Chinese (Special Programme)/Bahasa Indonesia
	Relevant Subject 2 - Mathematics/Science
	Relevant Subject 3 - Humanities/Higher Art/Higher Music/Mathematics/ Science/ Malay (Special Programme)/Chinese (Special Programme)/ Bahasa Indonesia
	Relevant Subject 4 - Any GCE 'O' Level subjects (except Religious Knowledge)
	Relevant Subject 5 - Any GCE 'O' Level subjects (except Religious Knowledge)

$$L1R5 \leq 20$$

L1R4 : For Millennia Institute Course	
L1	First Language - English/Higher Mother Tongue
R4	Relevant Subject 1 - Humanities/Higher Art/Higher Music/Mathematics/ Science/ Malay (Special Programme)/Chinese (Special Programme)/ Bahasa Indonesia
	Relevant Subject 2 - Humanities/Higher Art/Higher Music/Mathematics/ Science/ Malay (Special Programme)/Chinese (Special Programme)/ Bahasa Indonesia
	Relevant Subject 3 - Any GCE 'O' Level subjects (except Religious Knowledge)
	Relevant Subject 4 - Any GCE 'O' Level subjects (except Religious Knowledge)

$$L1R4 \leq 20$$

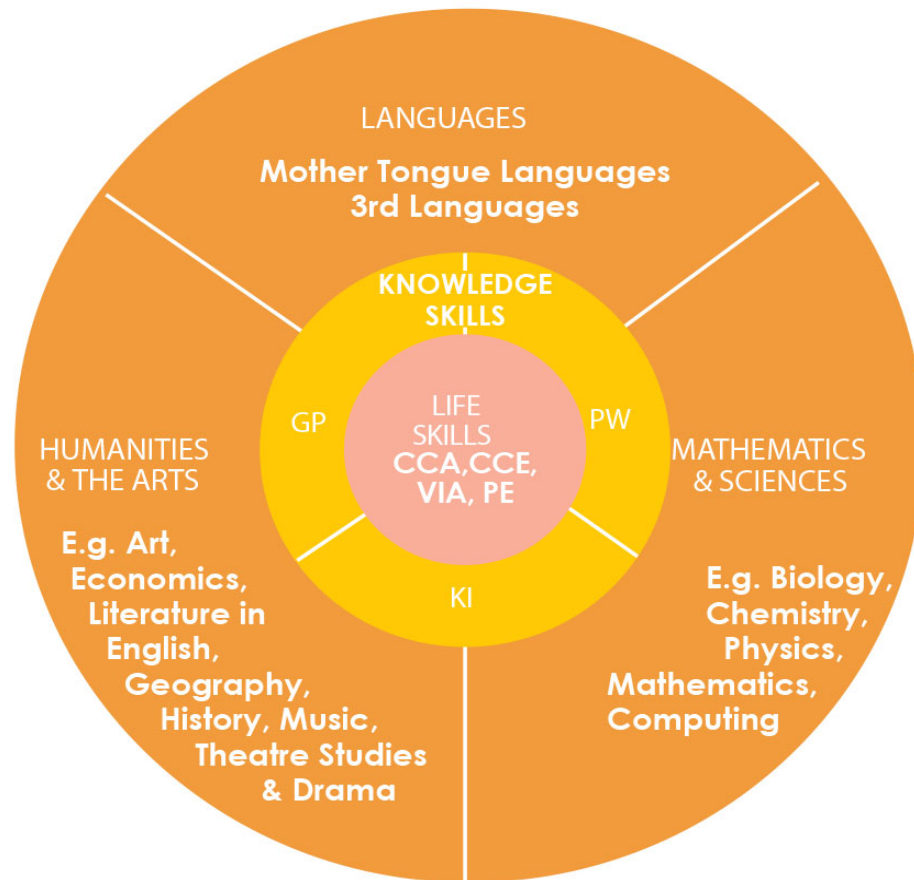
JC and MI: Subject Requirements

Table 10
Subject Requirements

Subject	Requirement
English Language	A1 to C6
Mother Tongue Language * : Chinese Language, Malay Language, Tamil Language <u>OR</u> Higher Chinese Language, Higher Malay Language, Higher Tamil Language <u>OR</u> Chinese Language 'B' Syllabus, Malay Language 'B' Syllabus, Tamil Language 'B' Syllabus	A1 to D7 A1 to E8 Merit or Pass
Mathematics: Mathematics <u>OR</u> Additional Mathematics	A1 to D7 A1 to D7

GCE A-Level Programme

Junior Colleges / Millenia Institute



Legend	
CCA	Co-Curricular Activities
CCE	Character & Citizenship Education
PE	Physical Education
GP	General Paper
PW	Project Work
KI	Knowledge & Inquiry
VIA	Values in Action

JC and MI: A-Level Curriculum

H1	H2	H3
Half of H2 subjects in terms of curriculum time.	Equivalent to 'A' level subjects prior to 2006.	Subjects with diverse learning opportunities for in-depth study (e.g. advanced content, research, university-level module). You must offer the corresponding subject at H2 level.

JC/MI: Typical Subject Combination

CONTENT-BASED SUBJECTS

At least one subject is from a contrasting discipline

3H2 + 1H1

OR

4H2

General Paper (GP)
Project Work (PW)
Mother Tongue (MT)*

3 Compulsory
H1 Subjects

* Exempted if student scored at least D7 for higher MT at O levels

Subject Combination (Science) Example

Compulsory H1 Subjects

- GP, PW, MT

3 H2 Subjects (Science)

- Biology or Physics, Chemistry, Mathematics

1 H1 Subject (Arts)

- Economics

Subject Combination (Arts) Example

Compulsory H1 Subjects

- GP, PW, MT

3 H2 Subjects (Art)

- Art, History, Economics

1 H1 Subject (Science)

- Mathematics

Subject Combination (Hybrid) Example

Compulsory H1 Subjects

- GP, PW, MT

3 H2 Subjects (Hybrid-Arts)

- History, Economics, Physics

1 H1 Subject (Science)

- Mathematics

What to expect in a Pre-University Education?

- You prefer an in-depth study of a specific content area in academic studies.
- You prefer learning that is more conceptual and theoretical.
- You prefer to stay with the same group of people throughout your time in school.
- You prefer a structured timetable with allocated lectures and tutorials.
- You prefer the routine of a school setting.

How to calculate bonus points?

Table 1
Computation of Bonus Points

S/No	Type of Bonus Points	No. of Bonus Points	Maximum Bonus Points Allowable	
1	For students seeking admission to JC/MI/Polytechnic/ITE and with the following co-curricular attainments/grades: a. Excellent, A1 – A2 b. Good, B3 – C6	2 points 1 point	Limited to a maximum of 4 Bonus Points for these 4 types.	Limited to a maximum of 6 Bonus Points .
2	For students seeking admission to JC/MI courses and with grades of A1 to C6 in both their first languages (i.e. English and a Higher Mother Tongue).	2 points		
3	For students seeking admission to JC/MI courses and with grades of A1 to C6 in Malay/Chinese (Special Programme) (MSP/CSP) or Bahasa Indonesia (BI) as their third language.	2 points		
4	For students from feeder schools if they choose their affiliated Junior College course(s) as their: a. 1 st choice, <i>or</i> b. 1 st and 2 nd choices.	2 points		
5	For students who have applied for the CLEP, MLEP or TLEP and have been selected for the programme.	2 points		

JC and MI: 2020 Net L1R5 Aggregate

Table D-1 : L1R5 Aggregate Scores (with Bonus Points) of Students Admitted to Junior Colleges in the Previous Year's (2020) JAE

S/No	Junior College	Arts		Science/IB	
		Course Code	Previous (2020) JAE Net L1R5	Course Code	Previous (2020) JAE Net L1R5
1	Anderson Serangoon JC	39A	11	39S	11
2	Anglo-Chinese JC	22A	9	22S	8
3	Anglo-Chinese School (Independent)	-	-	51I	5
4	Catholic JC	23A	13	23S	13
5	Dunman High School	44A	9	44S	8
6	Eunoia JC	38A	8	38S	7
7	Hwa Chong Institution	24A	5	24S	4
8	Jurong Pioneer JC	40A	16	40S	15
9	Nanyang JC	26A	7	26S	6
10	National JC	27A	8	27S	7
11	Raffles Institution	28A	5	28S	4
12	River Valley High School	45A	9	45S	8
13	St. Andrew's JC	30A	11	30S	10
14	St. Joseph's Institution	-	-	52I	7
15	Tampines Meridian JC	41A	13	41S	13
16	Temasek JC	32A	10	32S	9
17	Victoria JC	33A	8	33S	7
18	Yishun Innova JC	42A	20	42S	20

JC and MI: Useful Information

School Code **0715**
ANDERSON SERANGOON JUNIOR COLLEGE
Course Code (Arts) **39A**
Course Code (Science) **39S**

4500 Ang Mo Kio Avenue 6 S(569843)

Tel : 64596822 Fax : 64598734

School Website : asrjc.moe.edu.sg

Bus Services : 13, 45, 86, 162, 269, 825, 851, 852, 853

Nearest MRT Station : Yio Chu Kang

School Vision : Imaginative Thinkers, Caring Leaders

School Mission : Empowering students to find purpose, courage and passion in learning, leading and serving

Type of School : Government/Mixed/Full Day

Mother Tongue : Chinese/Malay/Tamil

Bonus Points given : Not Applicable

for Affiliated Schools

Net Aggregate range : Arts : 5 to 11
of 2020 JAE students : Science : 3 to 11
posted to 2020 JC1

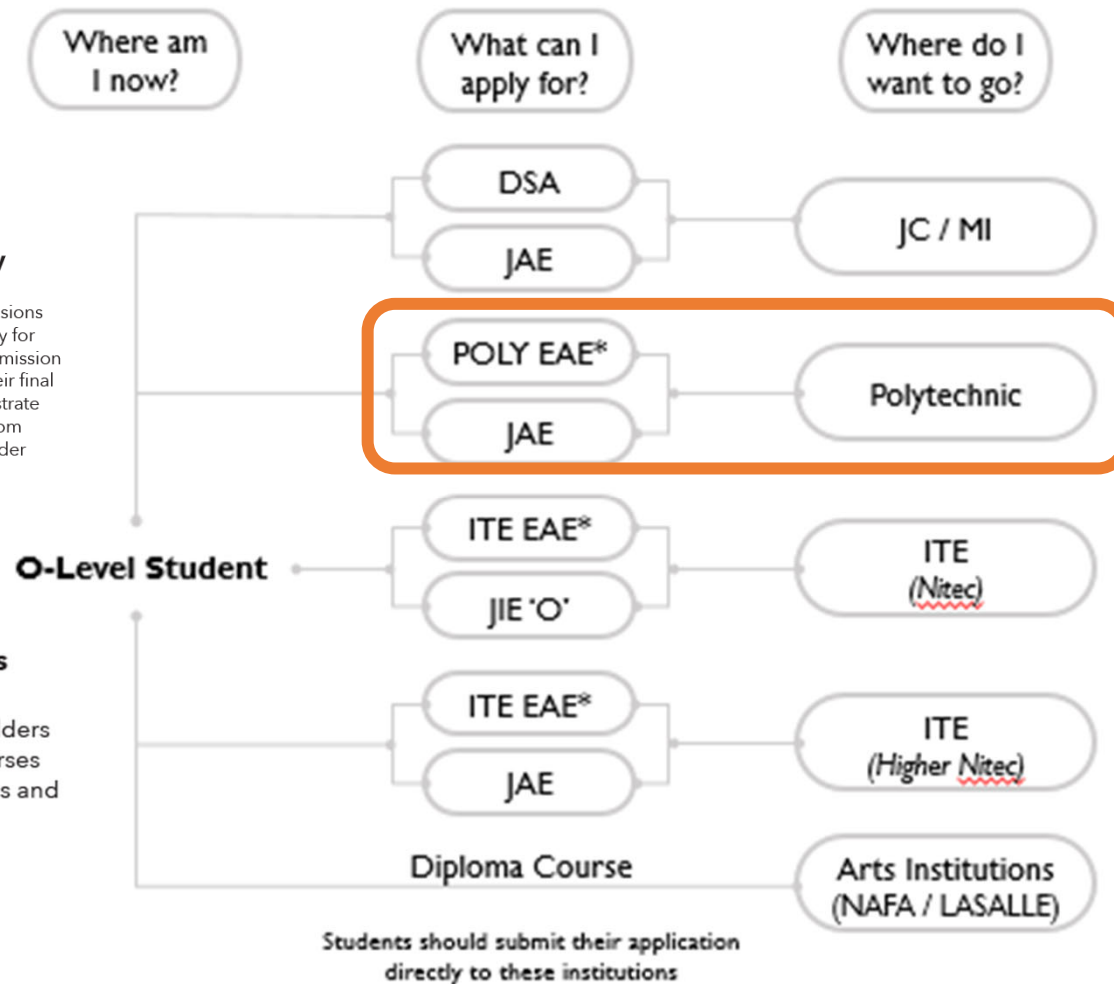
Applicants should check the subject combinations offered in the Arts and Science courses and school-based criteria for subjects offered at asrjc.moe.edu.sg/joining-asrjc/joint-admission-exercise.

Subjects Offered : **H1 Subjects**
Biology, Chemistry, Chinese Language, Economics, General Paper, General Studies in Chinese, Geography, History, Literature in English, Malay Language, Mathematics, Physics, Project Work, Tamil Language

 : **H2 Subjects**
Art, Biology, Chemistry, Chinese Language & Literature, Economics, Further Mathematics, Geography, History, Literature in English, Malay Language & Literature, Mathematics, Physics, Tamil Language & Literature

 : **H3 Subjects**
Biology, Chemistry, History, Literature in English, Mathematics, Physics

What's Next after GCE 'O' Levels



Poly EAE - Polytechnic Early Admissions Exercise

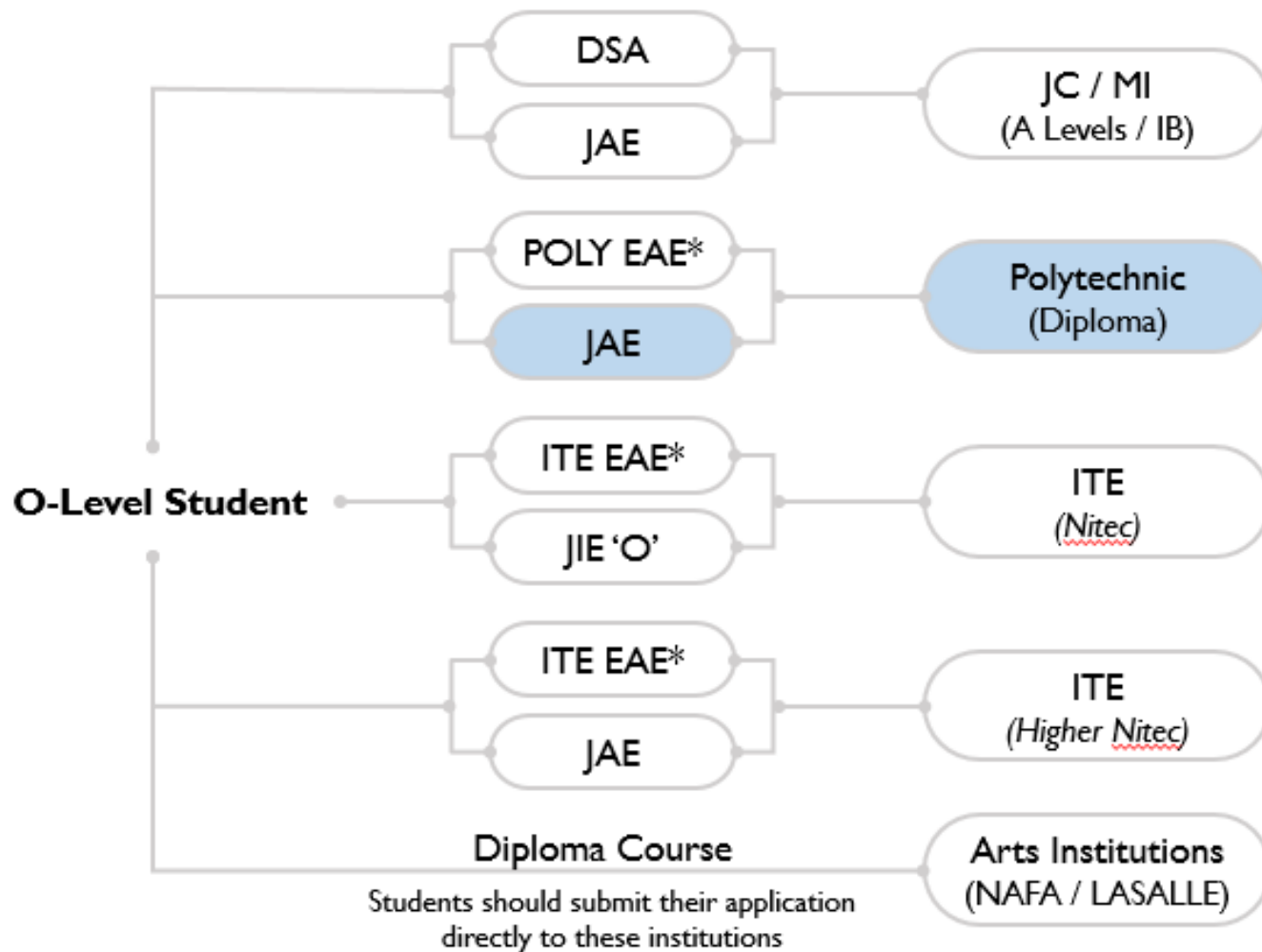
Poly EAE is an aptitude-based admissions exercise that allows students to apply for and receive conditional offers for admission to polytechnics prior to receiving their final grades. It allows students to demonstrate their aptitudes and interests apart from academic grades, thus allowing a wider range of talents to be recognised.

JAE - Joint Admissions Exercise

JAE enables GCE O-Level holders to apply for admission to courses offered by JC, MI, Polytechnics and ITE Higher Nitec courses.

Polytechnic Landscape

Polytechnic: Merit Based Admission (JAE)



POLYTECHNICS

Courses focus on the **development of industry-relevant competencies**

Curriculum is **practice-oriented** and allows the **building of a strong theoretical foundation** and enables **direct application of knowledge and skills to real work**

Students **graduate with a Diploma**



Singapore Polytechnic



Ngee Ann Polytechnic



Temasek Polytechnic

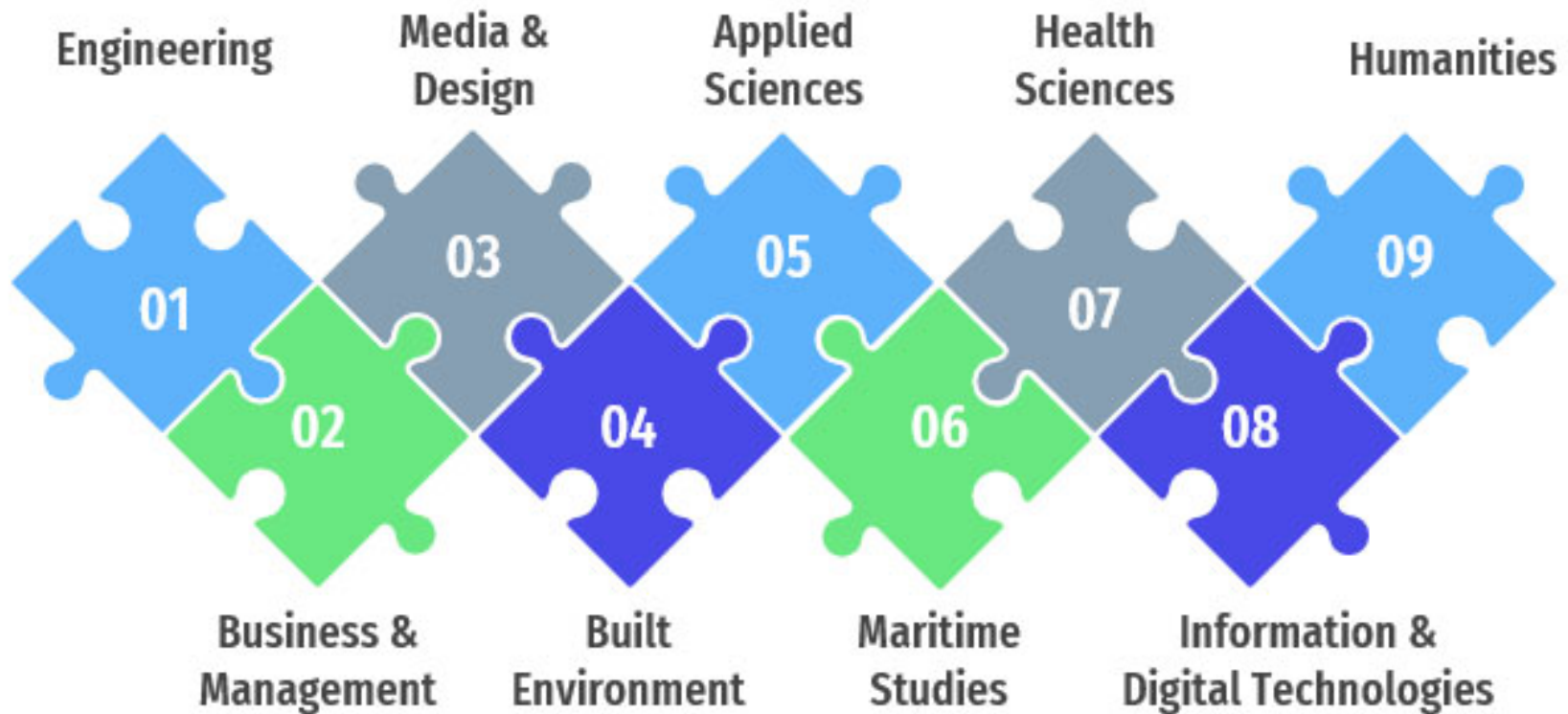


Nanyang Polytechnic



Republic Polytechnic

Course Clusters in Polytechnic



What to expect in the Polytechnic Education?

- The classes are more spread-out.
- There is more group work and assignments.
- There is a need for consistency and discipline to maintain the grades, as the results are calculated **cumulatively** over the three years.
- There is strong emphasis on practice-based learning.
- There is a larger emphasis on soft skills such as communication, presentation, problem-solving, creative thinking skills.
- The Diploma prepares you for the World of Work

Restricted

Entry Requirements to Poly

Net ELR2B2 \leq 26 and fulfil Minimum Entry Requirements



- **Humanities**
- **Media & Design**



- **Applied Sciences**
- **Engineering**
- **Health Sciences**
- **Information & Digital Technologies**
- **Built Environment**



- **Business & Management**



- **Built Environment**
- **Media & Design**

**Please refer to JAE 2021 Booklet for details of MER*

Polytechnic: Minimum Entry Requirement

Subjects	English Language	Math	Net ELR2B2
Grades	A1 to C6/D7*	A1 to C6/D7*	≤ 26

- *Minimum Entry Requirement (MER) VARIES across courses.
- Relevant Subjects (R2) vary from course to course.

Course Finder

<https://beta.moe.gov.sg/coursefinder/>

CourseFinder

Explore courses based on ag

Post-secondary courses

← 1 of 10 →

Showing 192 courses

Institute: Nanyang Polytechnic × Ngee Ann Polytechnic × Republic Polytechnic ×
Singapore Polytechnic × Temasek Polytechnic ×

Accountancy

Course code : S75



 Singapore Polytechnic

2020 Joint Admissions Exercise (JAE) ELR2B2-B aggregate: 5 - 13

Accountancy

Course code : N51



 Ngee Ann Polytechnic

2020 Joint Admissions Exercise (JAE) ELR2B2-B aggregate: 3 - 10

Accountancy



Allows you to thrive in career that involves public or corporate accounting, consulting or financial services.

Course code : *S75*

Singapore Polytechnic

Admission type: *JAE , DAE , JPAE , Poly EAE , PFP*

2020 JAE ELR2B2-B aggregate: *5-13*

Course duration : *3 years*

Minimum entry requirement

You must meet the following GCE O-Level examination requirements in order for us to consider your application:

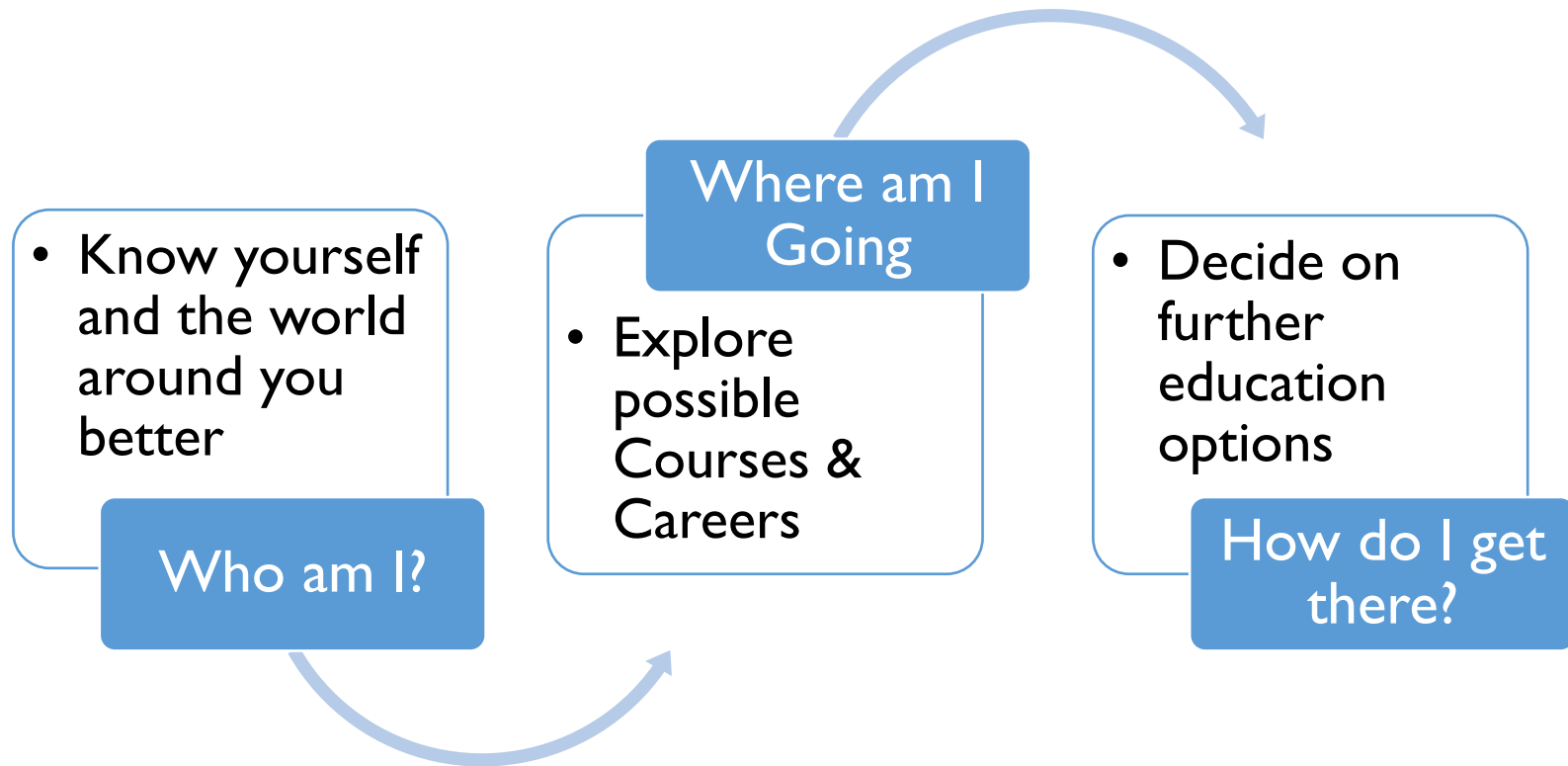
To be eligible for admission, you must have also sat for one subject listed in the 2nd group of relevant subjects for the ELR2B2-B aggregate type.

Subject	Grade
English Language	1-6
Mathematics (Elementary/Additional)	1-6
Any 3 other subjects	1-6

Restricted

What's Right for your child?

The 3 ECG Questions



Using my RIASEC Code to Help Me Explore

Who am I?

Search Job Roles by Career Interests

The six career interest types are Realistic (R), Investigative (I), Artistic (A), Social (S), Enterprising (E), and Conventional (C).

Select the first 3 letters identified as your interest. Place them in any preferred order to generate a list of job roles for further exploration.

R Realistic **I** Investigative **C** Conventional

Show Matching Job Roles

Matching Job Roles:

- Air-conditioning and Refrigerating Equipment Installer **RIC**
- Assistant Engineer **RIC**
- Assistant Engineer (RTS, permanent way) **RIC**
- Assistant Engineer/Assistant Maintenance Manager **RIC**
- Assistant Production Engineer **RIC**
- Associate Engineer **RIC**

Maths

Built Environment

Sciences

Engineering

Informational & Digital Technology

Take the profiling tool in MySkillsfuture Portal

Where am I going?

(CAREER) INTERESTS

- What are things that I like to do more of ?

SKILLS CONFIDENCE

- What areas am I good at?

WORK VALUES

- Do you enjoy discovering new things?
- Is helping people in the society important to you?

The screenshot shows the 'Know Yourself' section of the MySkillsfuture portal. At the top, there's a navigation bar with 'Know Yourself' and 'View My Subsections'. Below this is a heading 'Find Out More About Yourself' with a sub-heading 'Discover more about your career interests, skills, work values, and learning styles. These tools are meant to facilitate self-awareness and exploration. You may use them as a guide to plan your education or career. Do speak to your parents, teachers and Education and Career Guidance counsellors if you need further advice.' There are four main tool cards: 'Career Interests' (purple), 'Skills Confidence' (green), 'Work Values' (blue), and 'Learning Styles' (red). Below these is a section titled 'Which tool should I start with?' with a sub-heading 'Every tool here allows you to discover a different aspect of yourself. It will help to bring you a step closer to finding the educational and career pathway most suited for you.' and a 'Find Out More' button. A 'History' section follows, showing a table of generated reports. At the bottom, there's a 'Search Job Roles by Career Interests' section with a sub-heading 'The six career interest types are Realistic (R), Investigative (I), Artistic (A), Social (S), Enterprising (E), and Conventional (C). Select the first 3 letters identified as your interest. Place them in any preferred order to generate a list of job roles for further exploration.' and a 'Show Matching Job Roles' button.

YOUR RESULTS LISTING	GENERATED ON	ACTION
Your Career Interests	01/08/2017 13:34	🗑️ ⬇️ □
Your Career Interests	18/07/2017 15:25	🗑️ ⬇️ □
Your Work Values	04/07/2017 14:54	🗑️ ⬇️ □
Your Skills Confidence	04/07/2017 13:37	🗑️ ⬇️ □
Your Career Interests	04/07/2017 11:27	🗑️ ⬇️ □
Consolidated Report		

Direct School Admission (DSA)



- Allows students to apply and secure a place in the JC, based on **talents and achievements like sports, performing arts or specific academic areas.**
- Different JCs have different categories and selection criteria.
- DSA Online Applications : Opens in May
- Students assessed through trials, auditions, portfolio, and/or interviews
- If successful, students given a **conditional offer** before sitting for 'O' levels
- Offer is confirmed if student meets LIR5 ≤ 20 and subject requirements.
- With confirmed offer, students **cannot transfer schools** nor participate in JAE.

Poly Early Admission Exercise



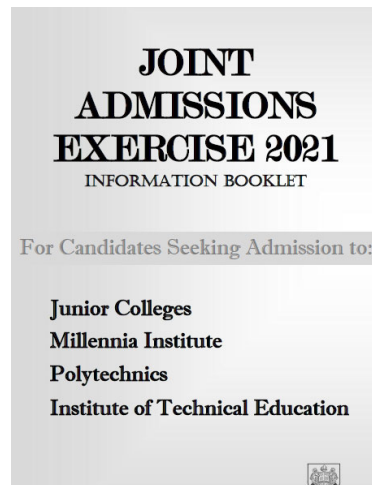
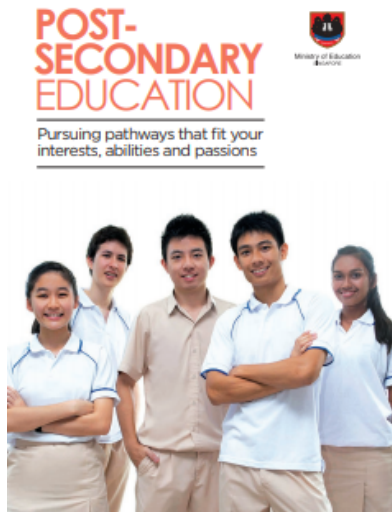
- Allows students to apply and secure a place in the Polytechnic, based on **interests** and **aptitude**, before sitting for the 'O' levels.
- Apply up to 3 Poly courses and submit personal statements (write-ups) for each course applied for
- EAE Online Applications : Opens in June
- Students assessed through interviews, aptitude tests and portfolio reviews. ***(important to participate in CCA and school activities to demonstrate interest and build portfolio)***
- If successful, students given a conditional offer in course of choice.
- Offer is confirmed if student fulfils $ELR2B2 \leq 26$ and minimum entry requirements (MER). With confirmed offer, students cannot switch course.
- If the MERs are not met, offer is revoked and student participates in JAE based on 'O' level results.

Parents can support your Child's ECG journey by...

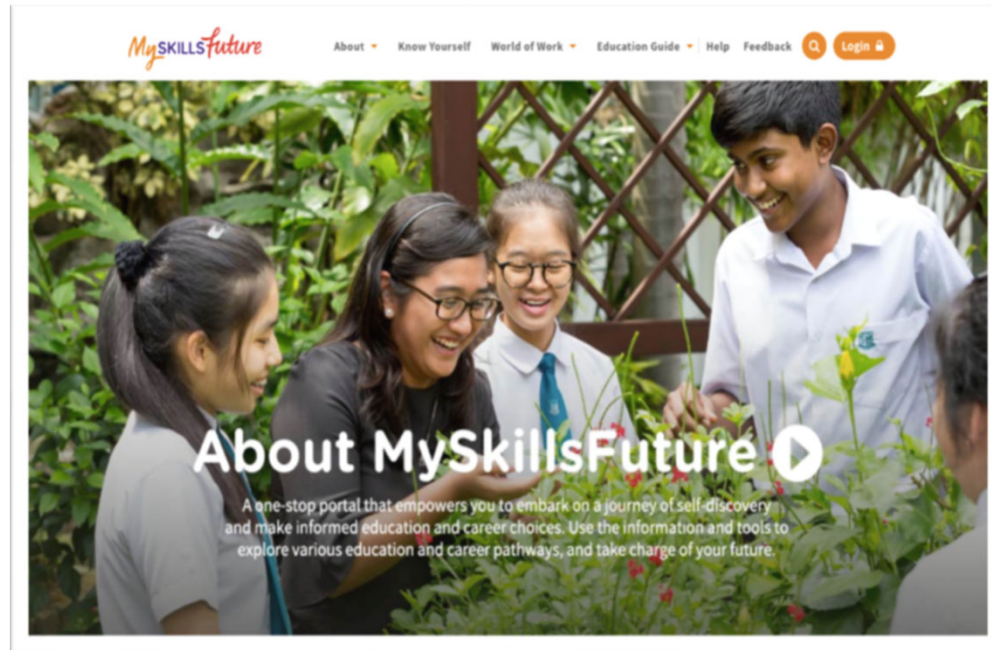
- Keep an open mind & have a two-way conversation with your child
- Give your child the space to communicate freely with you



Additional Resources



Additional Resources



<https://go.gov.sg/mysfsec>



Guidance Branch, MOE